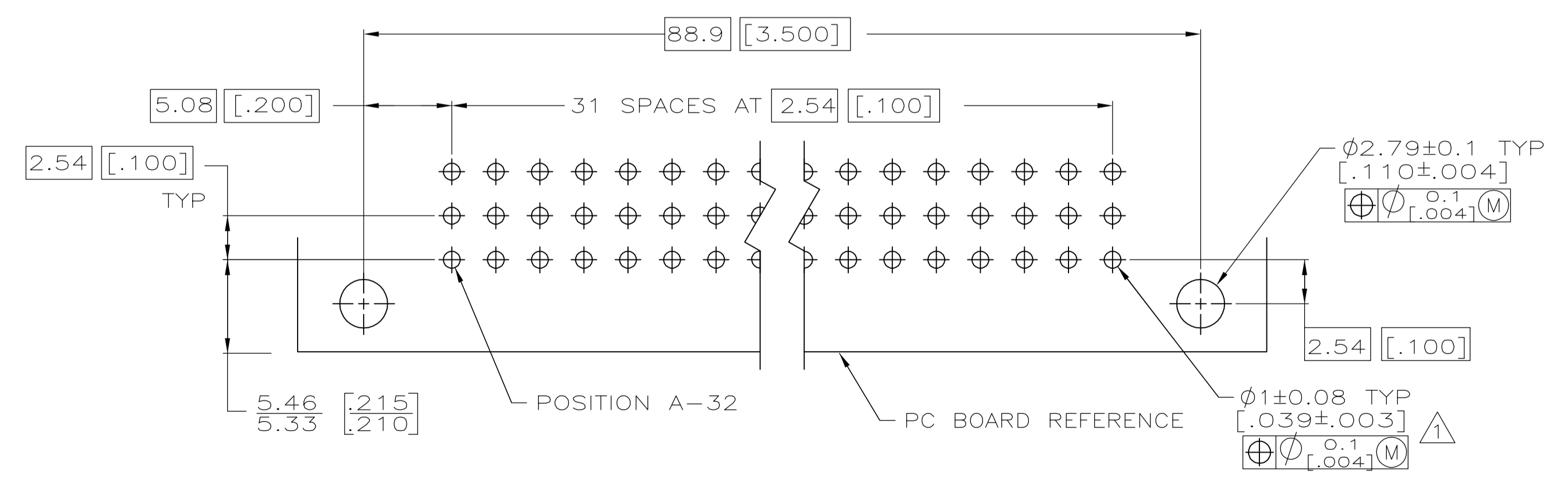
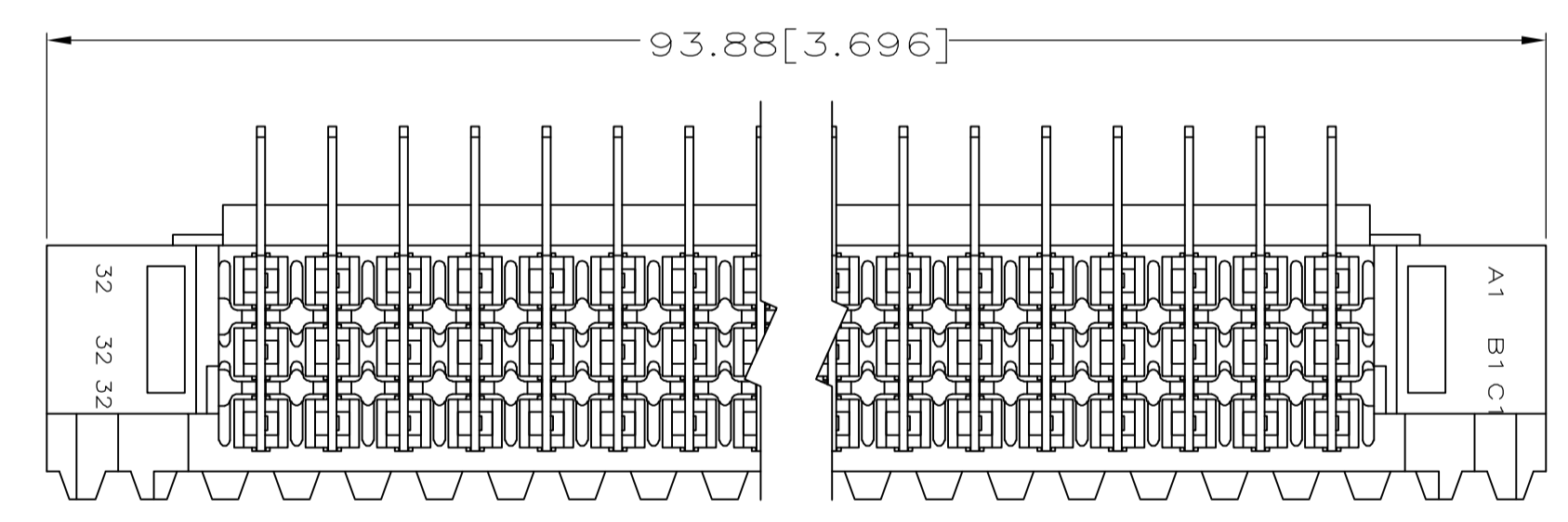
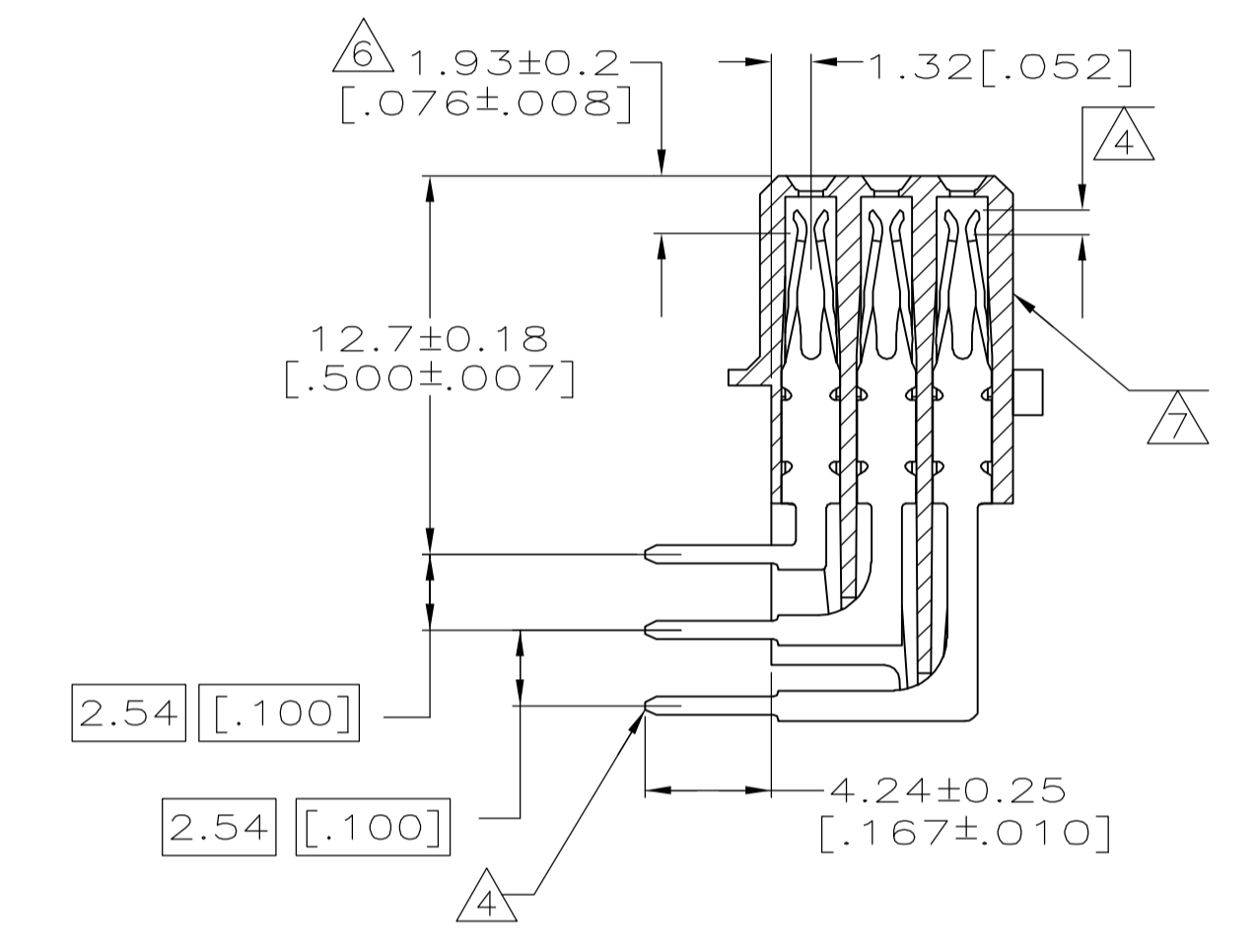
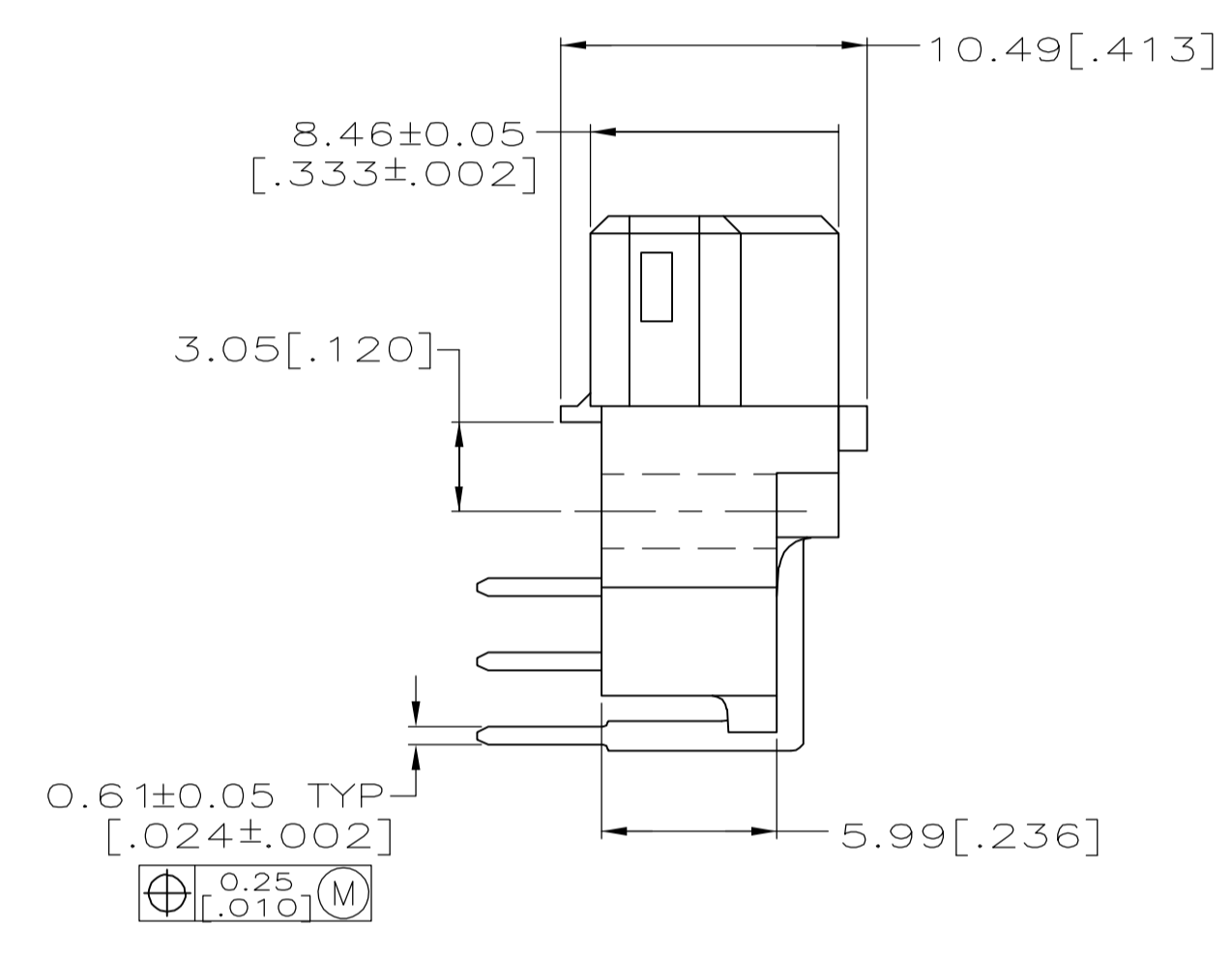
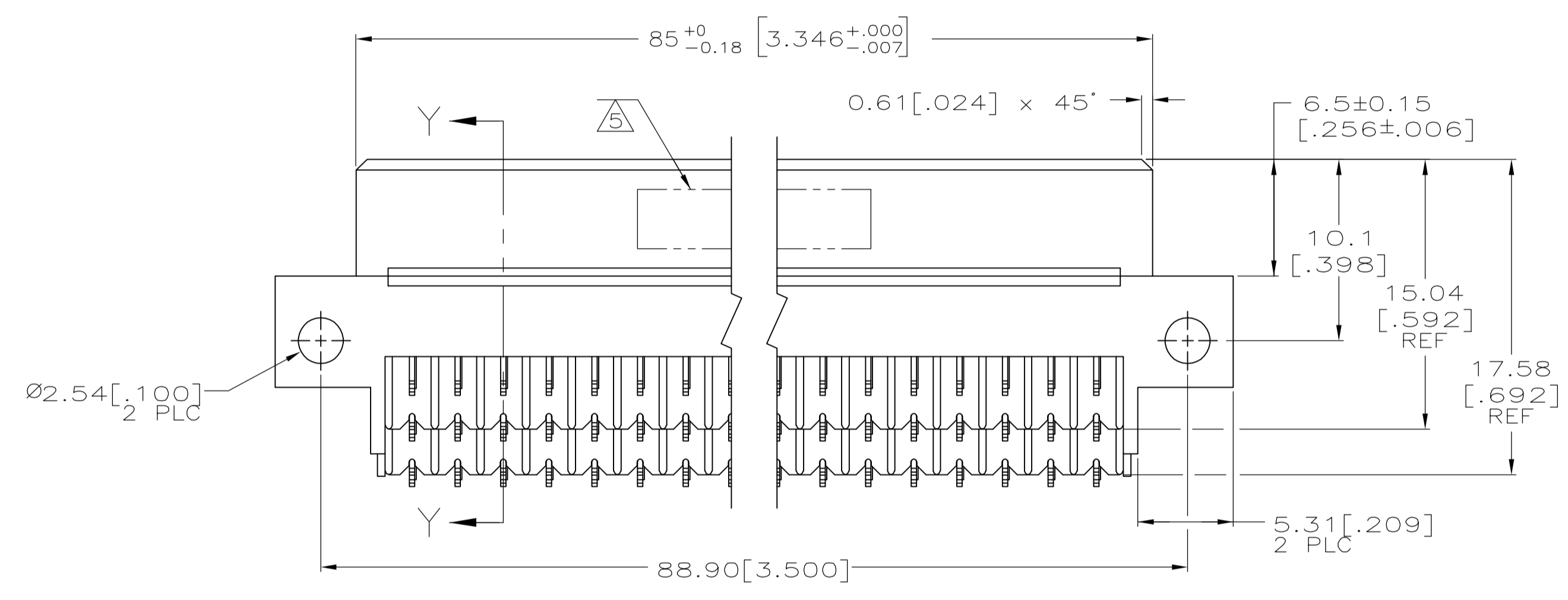
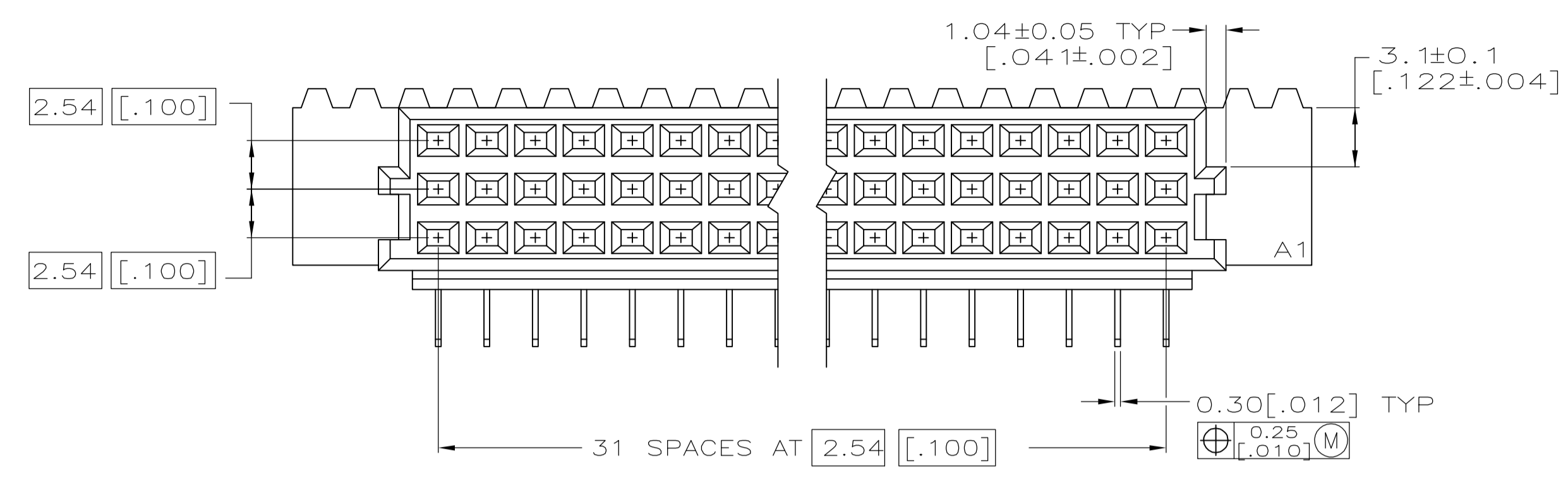


- 1 RECOMMENDED HOLE SIZE FOR MANUAL APPLICATION OF CONNECTOR ONTO PC BOARD.
- 2 HOUSING MATERIAL: GLASS-FILLED POLYMER.
- 3 CONTACT MATERIAL: COPPER ALLOY.
- 4 CONTACT FINISH: DIN 41612 CLASS 2 IN CONTACT AREA. TIN PLATE ON POSTS.
- 5 PART NUMBER, DATE CODE IDENTIFICATION, CSA LOGO THIS APPROXIMATE AREA.
- 6 CONTACT POINT.
- 7 MARKING ON THIS SIDE.



NOTES	POSITIONS LOADED	ROWS LOADED	NO. OF LOADED POSITION	ASSY PART NUMBER
1 THRU 32	X X X	X	96	5650462-5
1 THRU 32	X X X	X	96	5650462-4

THIS DRAWING IS A CONTROLLED DOCUMENT.

DIMENSIONS: mm [INCHES]	TOLERANCES UNLESS OTHERWISE SPECIFIED:	DIN J. POLIGNONE	03JUN05	tyco Electronics	Tyco Electronics Corporation Harrisburg, Pa 17105-3608
0 PLC ± -	1 PLC ± -	03JUN05	NAME	ASSEMBLY, RECEPTACLE, EUROCARD, TYPE R, LEAD-FREE, 96 POSITION, 4.24[.167] SOLDER POSTS	RESTRICTED TO
2 PLC ± 0.13[.005]	3 PLC ± -	03JUN05	SIZE	A1	00779
4 PLC ± -	ANGLES ± -	03JUN05	WEIGHT	—	—
MATERIAL	FINISH	03JUN05	CUSTOMER DRAWING	SCALE	4:1
		03JUN05		SHEET	1 OF 1
		03JUN05		REV	0